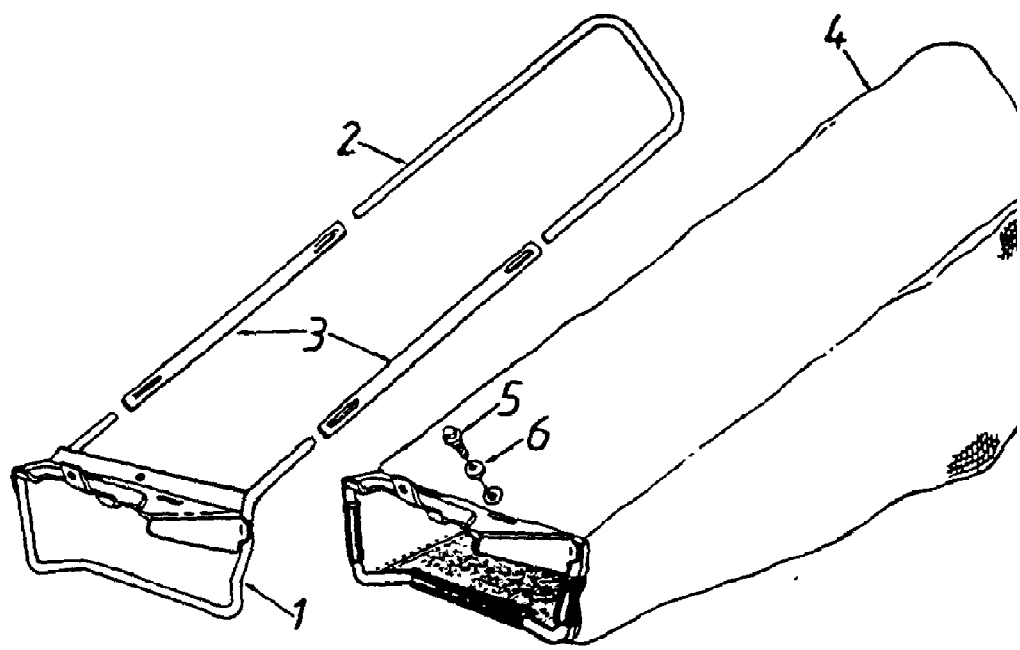
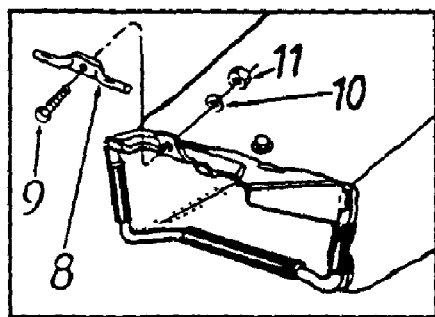


190-110-000 (1997)
Grass Catcher



190-110-000 (1997)
Grass Catcher

Page 2 of 2

| Ref # | Part Number | Qty | S/P/F | Description |
|-------|-------------|-----|-------|---|
| 1 | 16839B | 1 | S | Frame - Lower Ass'y. |
| 2 | 747-0575 | 1 | S | Frame - Upper |
| 3 | 749-0774 | 1 | S | Tube Support |
| 4 | 764-0271 | 1 | S | Grass Bag |
| 5 | 710-0599 | 1 | /P | Hex Wash. Hd. TT-Tap Scr. 1/4-20 x 5" Lg. |
| 6 | 736-0270 | 1 | /P | Bell-Wash. 1/4" I.D. |
| 8 | 747-0870 | 1 | | Grass Bag Hook |
| 9 | 710-0258 | 1 | S | Hex Bolt 1/4-20 x .62" Lg. |
| 10 | 736-0329 | 1 | S | L-Wash. 1/4" I.O. |
| 11 | 712-0287 | 1 | S | Hex Nut 1/4-20 Thd. |